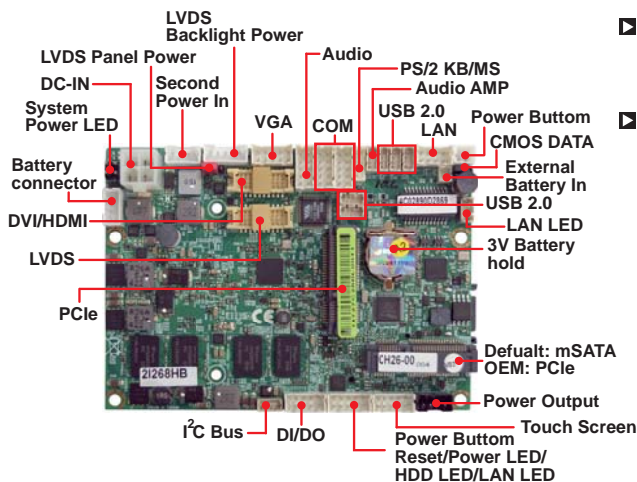




21268H Series

www.kacer.com



▶ Intel® Atom™ N2600 / N2800 2.5" SBC
Onboard DDR3, VGA, DVI, LVDS, HDMI,
1 x Gb Ethernet, 2 x Mini PCIe, 5 x USB, 2 COM

▶ Features

- Embedded Intel® Atom™ Dual Core processor N2600 / N2800+Intel NM10,
- Onboard 2GB DDR3,
- Display: VGA, DVI, LVDS & HDMI
- Support Wide Range +6~36V DC-in or DC-IN with battery charger control
- Support Li Battery Charger function
- 1 x Realtek GbE LAN, 5 x USB 2.0, Line-out / Line-in / Mic-in, 2 x COM
- 2 x Mini PCIe (full size & half size)
- One full size PCIe Mini card for PCIe by or USB interface
- One full size PCIe Mini card for mSATA or USB interface

MODEL	21268HW-CH26	21268HB-CH26
CPU Type	Intel Cedarview-M N2600 1.6GHz (Dual core processor) TDP 3.5W Intel Cedarview-M N2800 1.86GHz (Dual core processor) TDP 6.5W	
MB Chipset	Intel Cedarview-M and NM10	
BIOS	Award BIOS	
Graphics	Intel Cedarview-M Integrated Graphics chipset, N2600 400 MHz / N2800 640 MHz render clock frequency Support DirectX* 10.1 compliant Pixel Shader* v2.0 and OGL 3.0, Display Ports: HDMI, LVDS, DVI, CRT	
System Memory	On board DDR3 SDRAM 2GB, N2600 Memory DDR3 data transfer rate of 800MT/s On board DDR3 SDRAM 4GB, N2800 Memory DDR3 data transfer rate of 1066MT/s	
NAND flash memory	On board SSD 2 / 4 / 8 / 16 / 32 / 64 GBytes (option)	
SATA	One SATA port with independent DMA operation supported mSATA share with mini PCIe (Option)	
LVDS/Touch Screen	Single channel 18 Bits ; USB interface Touch Screen Controller	
Audio	Intel High Definition Audio Specification, Support Line-out/ Line-in / Mic-in	
LAN	1 x Realtek RTL8111F 10 / 100 / 1000 Mbps	
IO Function	2 x RS232 or 422/485 ; Internal PS2 KB/ MS	
USB	5 x USB 2.0	
DVI/HDMI	1 x DVI-D support resolution up to 1920 x 1200 ; 1 x HDMI support resolution up to 1920 x 1200	
DIO & WDT	Hardware digital Input & Output, 4 x DI / 4 x DO Hardware Watch Dog Timer, 0~255 sec programmable	
Expansion Interface	One full size PCIe Mini card for PCIe or USB interface One full size PCIe Mini card for mSATA or USB interface One 3G SIM card socket (option)	
Power	Wide range DC input from +6V to +36V On board DC +12V	Primary DC +12V input with Battery charger function Secondary DC input for power source bank from +6V ~ +19V. Support battery pack 2S
Dimension	Pico-ITX 102 x 73 mm (2.5 inch)	
Operation Temperature	-20 °C~ 70 °C	
Operation Humidity	5 ~ 95%, non-condensing	